



General Characteristics 5500 Series Washdown Fan Forced Unit Heater with bracket H5520/HMK, H5550/HMK and Thermostat

Heavy-duty 304 16 gauge stainless steel shroud.
316 stainless construction available.
Nema 4x non-metallic control panel.
24-Volt control.
3-position switch (off-heat-fan).
Capillary thermostat with stainless steel sensor.
Automatic reset thermal cutout.
Totally enclosed U.L. listed motor.
Pilot light (power on indicator).
Stainless steel finned tubular element. Constructed of 304 or 316 stainless rod and fins.
Control panel on bottom of unit for ease of installation and service
Disconnect switch with enclosure door interlock.
Front grill rotates to direct airflow.
Single-point power connection.
Fan Blade Aluminum.
Epoxy painted cold roll steel model available, consult factory.
Meets all U.L., NEC, and OSHA requirements (when installed as directed).
Corrosion-resistant in high humidity and water-saturated areas (for areas where corrosion resistance is needed in non-explosive areas, contact factory for heater applications and optional materials).
Includes Mounting Bracket Kits and Thermostat.
Made in U.S.A.

Product Applications 5500 Series Washdown Fan Forced Unit Heater with bracket H5520/HMK, H5550/HMK and Thermostat

Recommended for all industrial and commercial.
Used in dirty or dusty industrial areas in non-hazardous locations.
Also used in areas that may be high in humidity or water saturated.
For indoor and outdoor use.

Warranties 5500 Series Washdown Fan Forced Unit Heater with bracket H5520/HMK, H5550/HMK and Thermostat

Manufacturer's Limited Warranty: 1 Year.



The Washdown Series unit heaters are electric unit heaters constructed for use in areas that require washing or hosing of equipment due to dirty or dusty industrial environments in non-hazardous locations. The totally enclosed water-tight construction made with corrosion-resistant material make this series ideal for industrial heating applications. The Washdown Series is constructed with all built-in controls and safety temperature controls wired in a non-metallic Nema 4x control panel with single-point power connections.



**5500 Series Washdown Fan
 Forced Unit Heater with bracket
 H5520/HMK, and Thermostat**

Data Sheet

Specific Characteristics 5500 Series Washdown Fan Forced Unit Heater with bracket H5520/HMK, H5550/HMK and Thermostat.

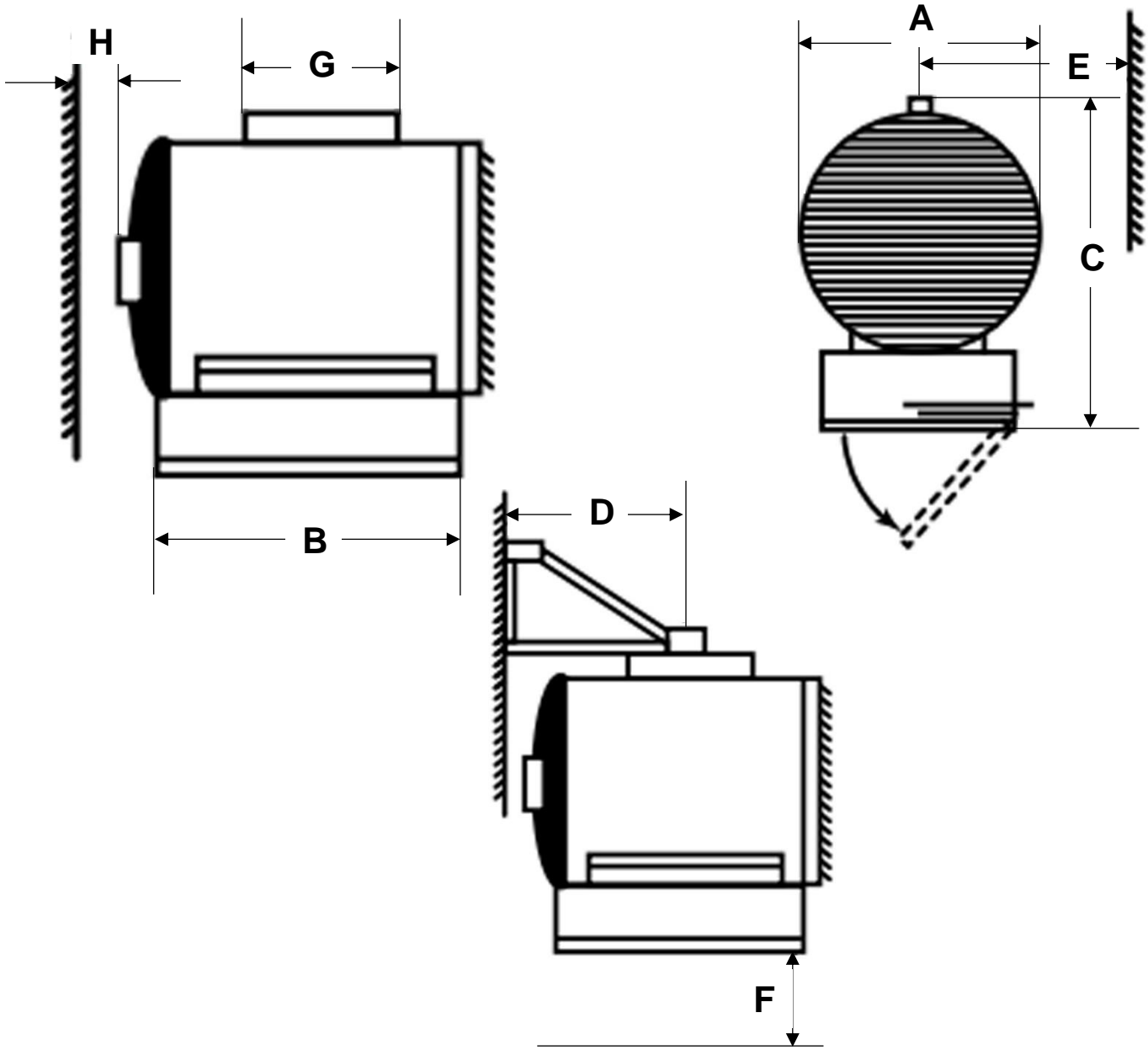
Item #	Watts	BTU's	Volts	PH	Amps	Temp Rise (°F)	Air throw	CFM	Included Components		Weight and Dimensions With Packaging (CM)	
									Thermostat	Bracket	Lbs	W,H,D
									MFG Model number	MFG Model number		
USWTT-001	3.3	11200	208	1	15.9	26	20'	400	TW155A	H5520/HMK	58	14,22,19
USWTT-002	3.3	11200	208	3	9.2	26	20'	400	TW155A	H5520/HMK	58	14,22,19
USWTT-003	3.3	11200	240	1	13.7	26	20'	400	TW155A	H5520/HMK	58	14,22,19
USWTT-004	3.3	11200	240	3	7.9	26	20'	400	TW155A	H5520/HMK	58	14,22,19
USWTT-005	3.3	11200	277	1	11.9	26	20'	400	TW155A	H5520/HMK	58	14,22,19
USWTT-006	3.3	11200	480	3	4	26	20'	400	TW155A	H5520/HMK	58	14,22,19
USWTT-007	5	17100	208	3	13.9	40	20'	400	TW155A	H5520/HMK	58	14,22,19
USWTT-008	5	17100	240	1	20.8	40	20'	400	TW155A	H5520/HMK	58	14,22,19
USWTT-009	5	17100	240	3	12.1	40	20'	400	TW155A	H5520/HMK	58	14,22,19
USWTT-010	5	17100	277	1	18.1	40	20'	400	TW155A	H5520/HMK	58	14,22,19
USWTT-011	5	17100	480	3	6.1	40	20'	400	TW155A	H5520/HMK	58	14,22,19
USWTT-012	7.5	25600	208	3	20.8	60	20'	400	TW155A	H5520/HMK	58	14,22,19
USWTT-013	7.5	25600	240	3	13.1	60	20'	400	TW155A	H5520/HMK	58	14,22,19
USWTT-014	7.5	25600	480	3	9.1	60	20'	400	TW155A	H5520/HMK	58	14,22,19
USWTT-015	10	34130	240	3	21.1	45	28'	700	TW155A	H5520/HMK	64	16,24,21
USWTT-016	10	34130	480	3	12.1	45	28'	700	TW155A	H5520/HMK	64	16,24,21
USWTT-017	15	51200	480	3	18.1	68	28'	700	TW155A	H5520/HMK	64	16,24,21
USWTT-018	3.3	11200	208	1	15.9	26	20'	400	TW255A	H5520/HMK	58	14,22,19
USWTT-019	3.3	11200	208	3	9.2	26	20'	400	TW255A	H5520/HMK	58	14,22,19
USWTT-020	3.3	11200	240	1	13.7	26	20'	400	TW255A	H5520/HMK	58	14,22,19
USWTT-021	3.3	11200	240	3	7.9	26	20'	400	TW255A	H5520/HMK	58	14,22,19
USWTT-022	3.3	11200	277	1	11.9	26	20'	400	TW255A	H5520/HMK	58	14,22,19
USWTT-023	3.3	11200	480	3	4	26	20'	400	TW255A	H5520/HMK	58	14,22,19
USWTT-024	5	17100	208	3	13.9	40	20'	400	TW255A	H5520/HMK	58	14,22,19
USWTT-025	5	17100	240	1	20.8	40	20'	400	TW255A	H5520/HMK	58	14,22,19
USWTT-026	5	17100	240	3	12.1	40	20'	400	TW255A	H5520/HMK	58	14,22,19
USWTT-027	5	17100	277	1	18.1	40	20'	400	TW255A	H5520/HMK	58	14,22,19
USWTT-028	5	17100	480	3	6.1	40	20'	400	TW255A	H5520/HMK	58	14,22,19
USWTT-029	7.5	25600	208	3	20.8	60	20'	400	TW255A	H5520/HMK	58	14,22,19
USWTT-030	7.5	25600	240	3	13.1	60	20'	400	TW255A	H5520/HMK	58	14,22,19
USWTT-031	7.5	25600	480	3	9.1	60	20'	400	TW255A	H5520/HMK	58	14,22,19
USWTT-032	10	34130	240	3	21.1	45	28'	700	TW255A	H5520/HMK	64	16,24,21
USWTT-033	10	34130	480	3	12.1	45	28'	700	TW255A	H5520/HMK	64	16,24,21
USWTT-034	15	51200	480	3	18.1	68	28'	700	TW255A	H5520/HMK	64	16,24,21

Accessories	MFG Model number	Description
Bracket	H5520/HMK	Simple and economical if adequate overhead structure exists. Requires 1/2" pipe, cut and threaded (not supplied). 3.3-15KW.
Thermostat	TW155A	1 POLE, 40-110°F, 22Amp
Thermostat	TW255A	2 POLE, 40-110 °F, 22Amp



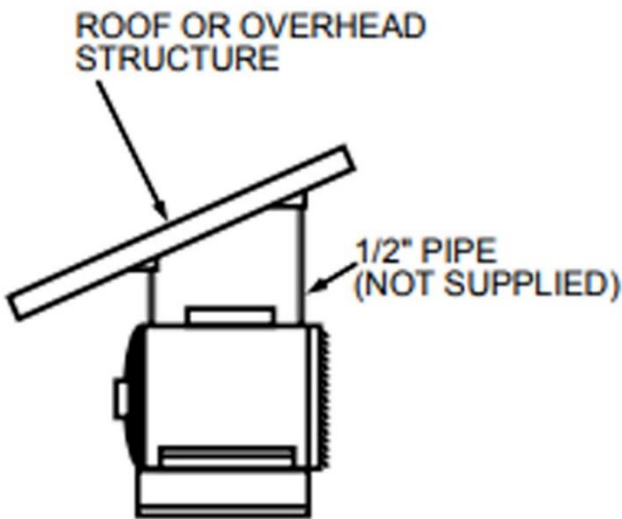
Dimensions (in) 5500 Series Washdown Fan Forced Unit Heater with bracket H5520/HMK, H5550/HMK and Thermostat.

Item #	A	B	C	D	E	F	G	H
USWTT-001 a USWTT-018	12	18	19.75	15.25	16.25	6ft	8	6
USWTT-019 a USWTT-029	14	19	21.75	15.25	18	6ft	8	6
USWTT-030 a USWTT-034	16	27	28.75	19.50	17.50	6ft	15.50	4.50

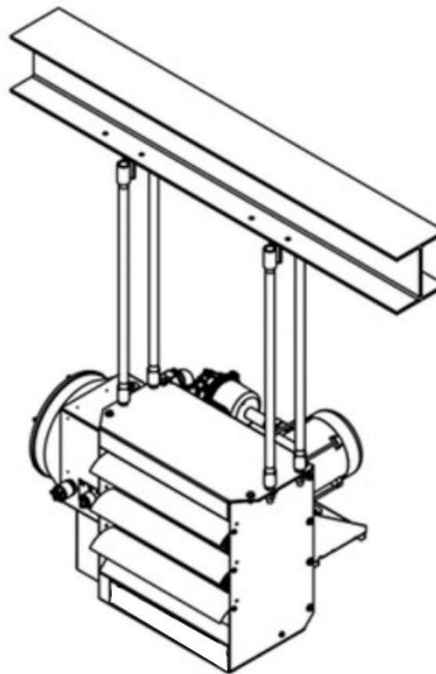




Hall of 5500 Series Washdown Fan Forced Unit Heater with bracket H5520/HMK, H5550/HMK and Thermostat.



H5550



ID	Author	Description Error	Description Update	Supervisor Name
V1	Angelica Romero	New Data Sheet	New Data Sheet	Jessica Lorenzo